



# 47KSC Installation Guide

## TABLE OF CONTENTS

---

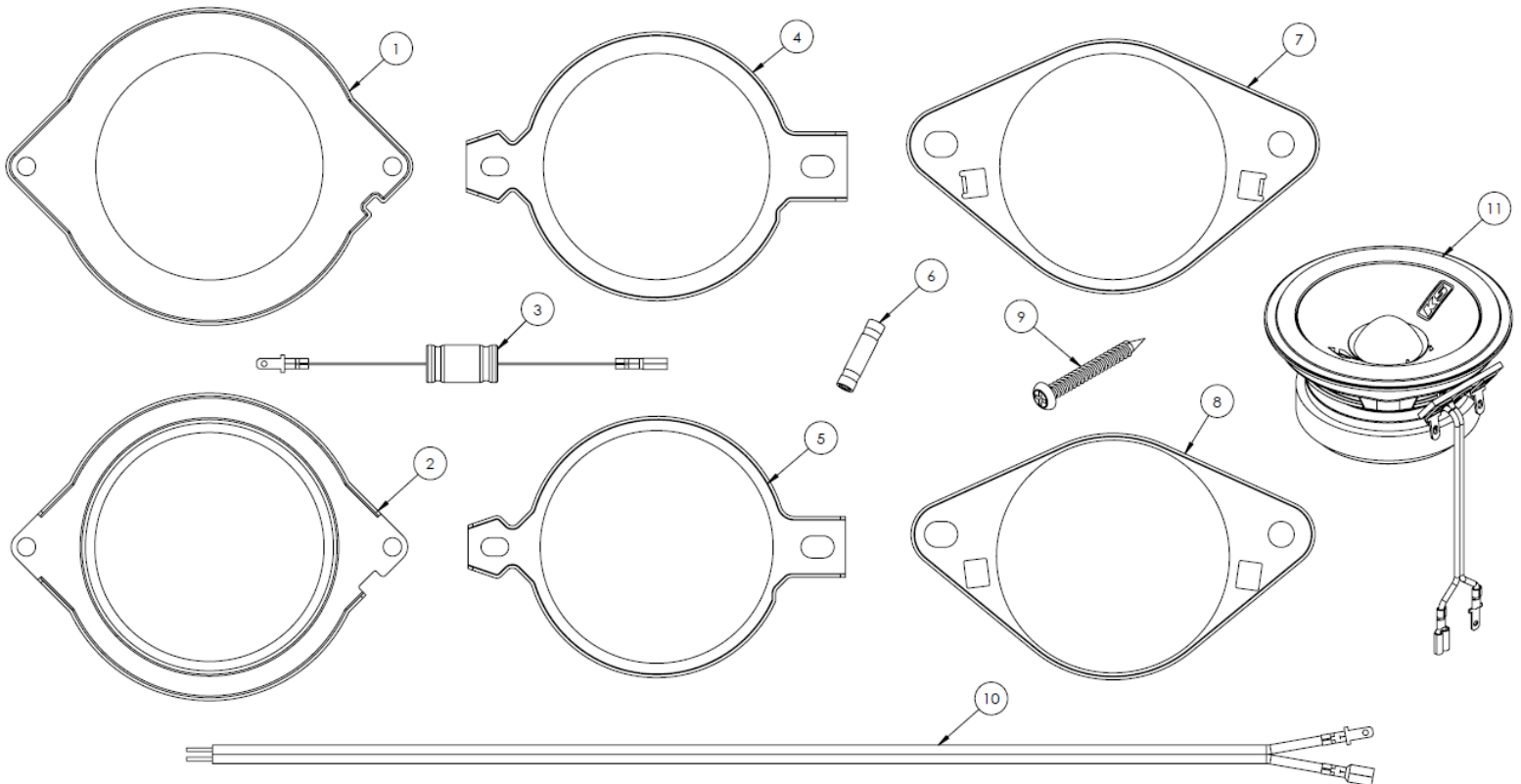
Parts Lists .....	2
Mounting KSC Speakers .....	13
Mounting KSC2704 .....	16
Mounting KSC404 with Three-Tab-Adapter .....	18
Mounting KSC6504 or KSC6704 with Adapter .....	20
Mounting KSC6904 or KSC69304 with Adapter .....	23
Wiring KSC Speakers without Crossovers .....	26
Wiring the KSC2704 .....	27
Wiring the KSC3504 .....	28
Wiring the KSC69304 .....	29

**READ AND UNDERSTAND ALL OF THESE INSTRUCTIONS BEFORE  
INSTALLATION!**



## PARTS LIST – 47KSC2704

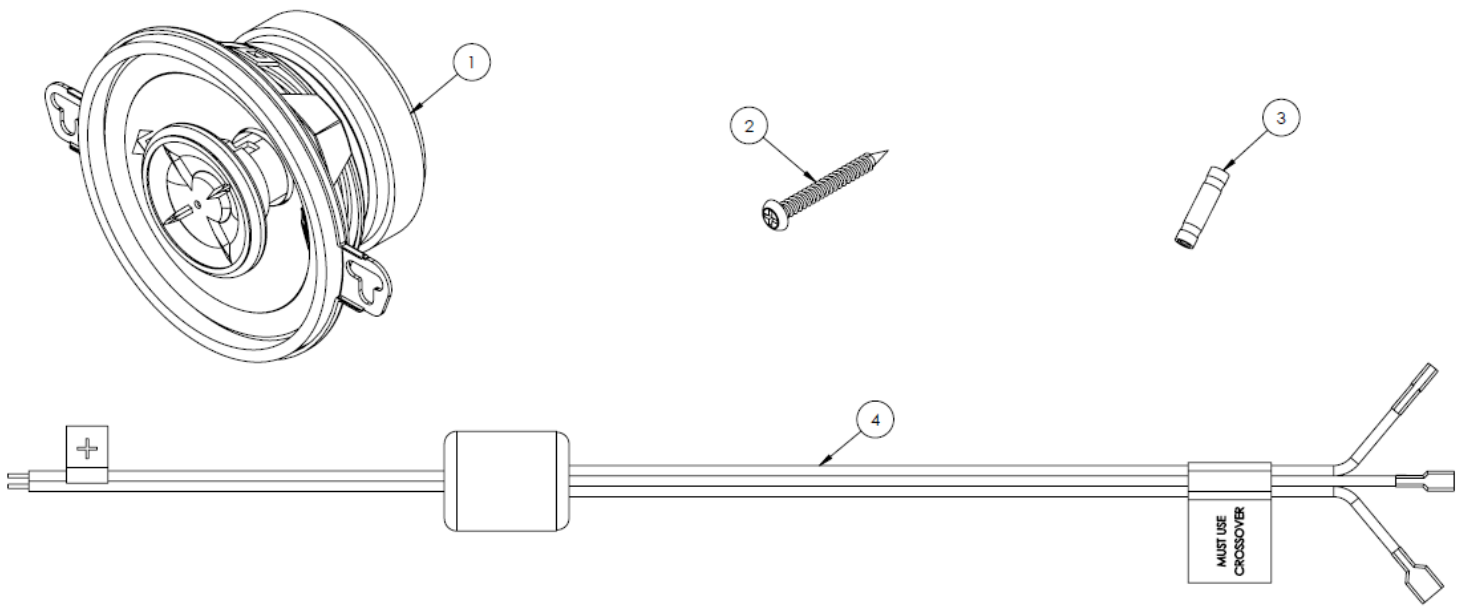
ITEM NO.	DESCRIPTION	QTY.
1	JEEP FLANGE	2
2	JEEP RETAINER	2
3	CAPACITOR	2
4	GM/CHRYSLER FLANGE	2
5	GM/CHRYSLER RETAINER	2
6	BUTT CONNECTOR	4
7	SUBARU/TOYOTA FLANGE	2
8	SUBARU/TOYOTA RETAINER	2
9	MOUNTING SCREW	4
10	WIRE HARNESS	2
11	2.75" KSC MID-RANGE TWEETER	2
12	BLACK ADHESIVE FOR SECURING FLANGE (NOT SHOWN)	2





## PARTS LIST – 47KSC3504

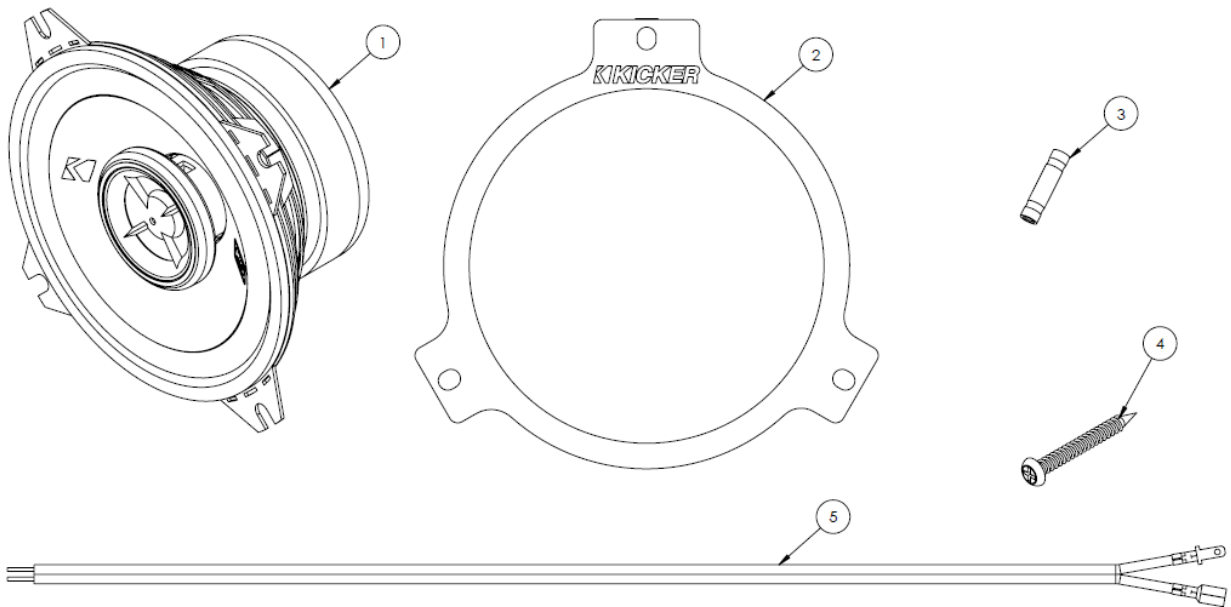
ITEM NO.	DESCRIPTION	QTY.
1	3.5" KSC COAXIAL SPEAKER	2
2	MOUNTING SCREW	4
3	BUTT CONNECTOR	4
4	3.5" KSC CROSSOVER	2





## PARTS LIST – 47KSC404

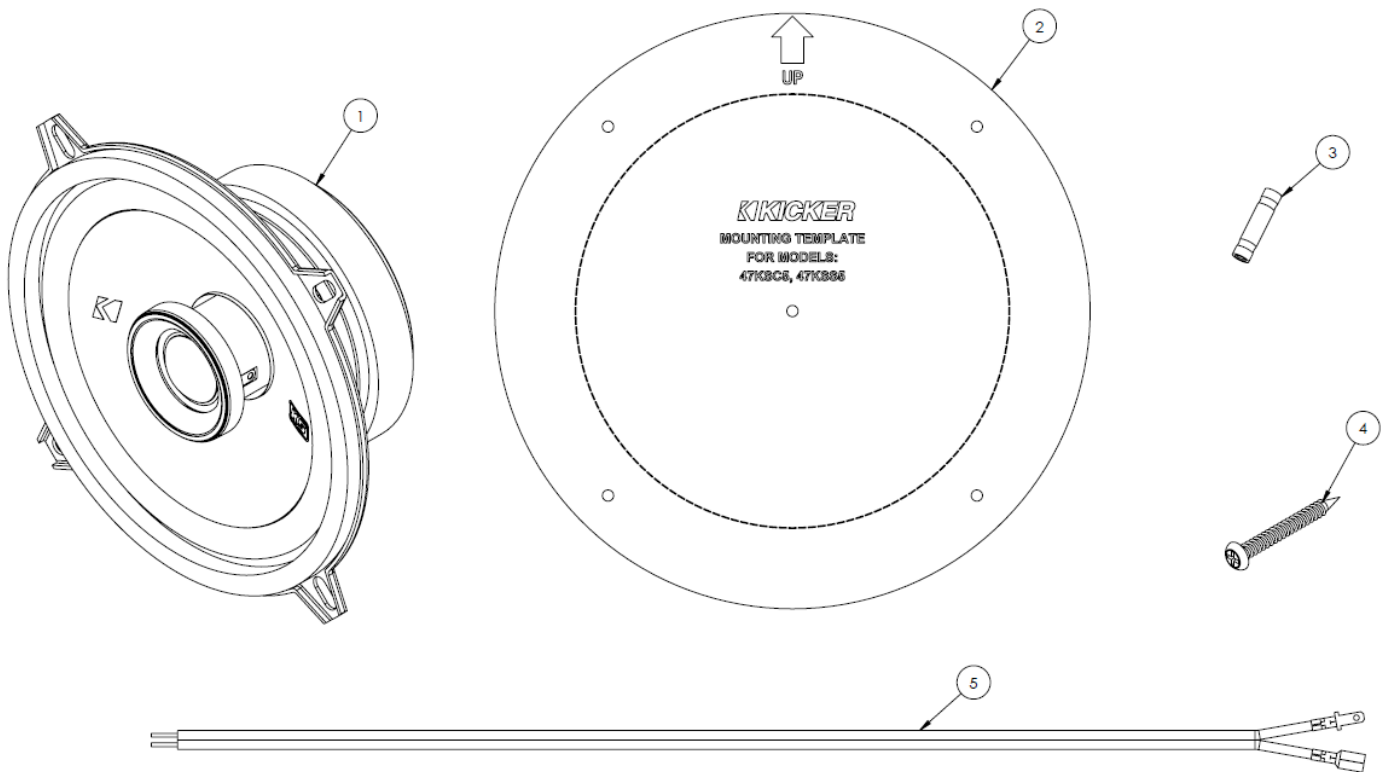
ITEM NO.	DESCRIPTION	QTY.
1	4" KSC COAXIAL SPEAKER	2
2	4" KSC JEEP ADAPTER	2
3	BUTT CONNECTOR	4
4	MOUNTING SCREW	8
5	WIRE HARNESS	2





## PARTS LIST – 47KSC504

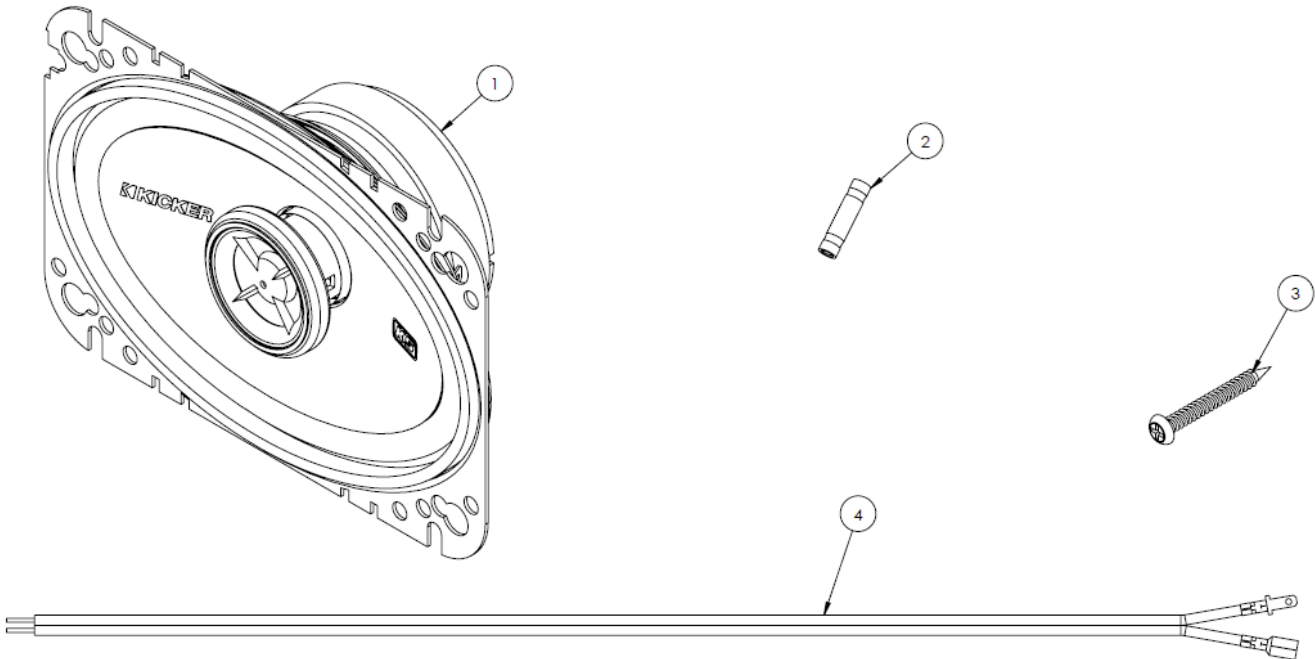
ITEM NO.	DESCRIPTION	QTY.
1	5.25" KSC COAXIAL SPEAKER	2
2	5.25" KS TEMPLATE	2
3	BUTT CONNECTOR	4
4	MOUNTING SCREW	8
5	WIRE HARNESS	2





## PARTS LIST – 47KSC4604

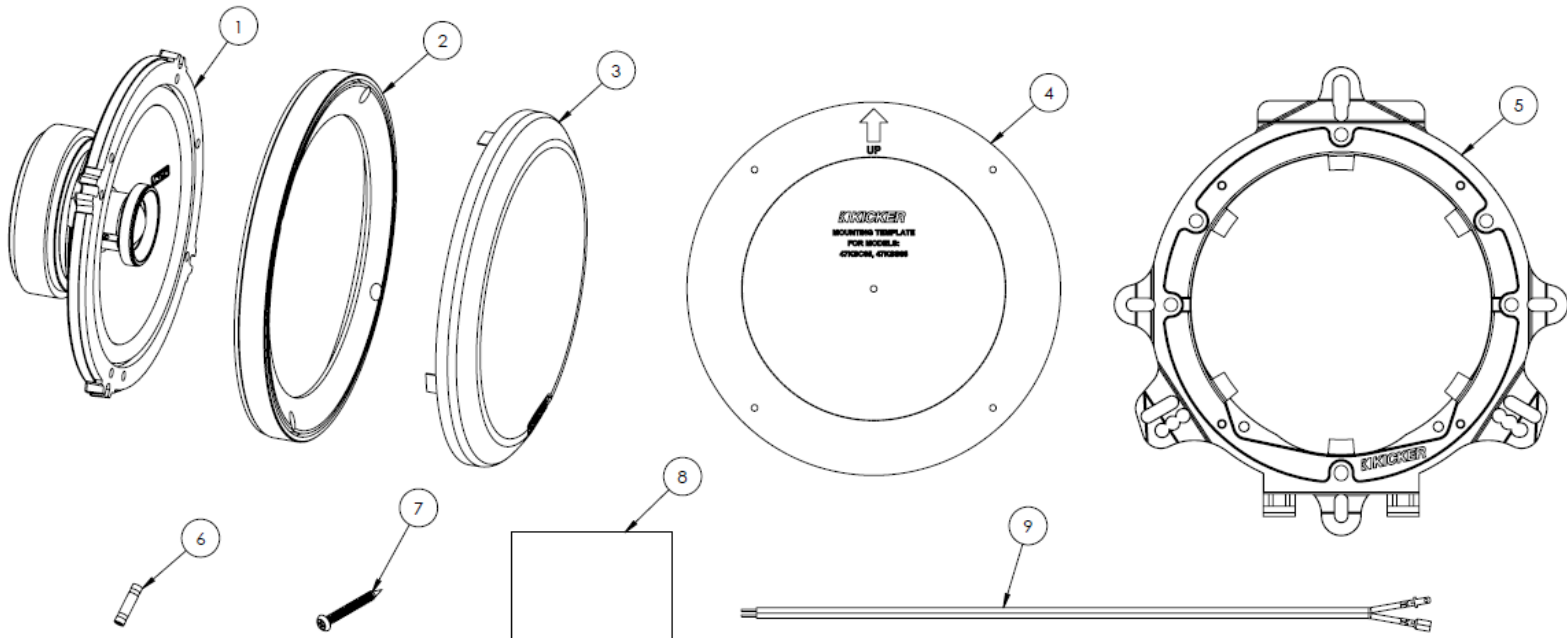
ITEM NO.	DESCRIPTION	QTY.
1	4"x6" KSC COAXIAL SPEAKER	2
2	BUTT CONNECTOR	4
3	MOUNTING SCREW	8
4	WIRE HARNESS	2





## PARTS LIST – 47KSC6504

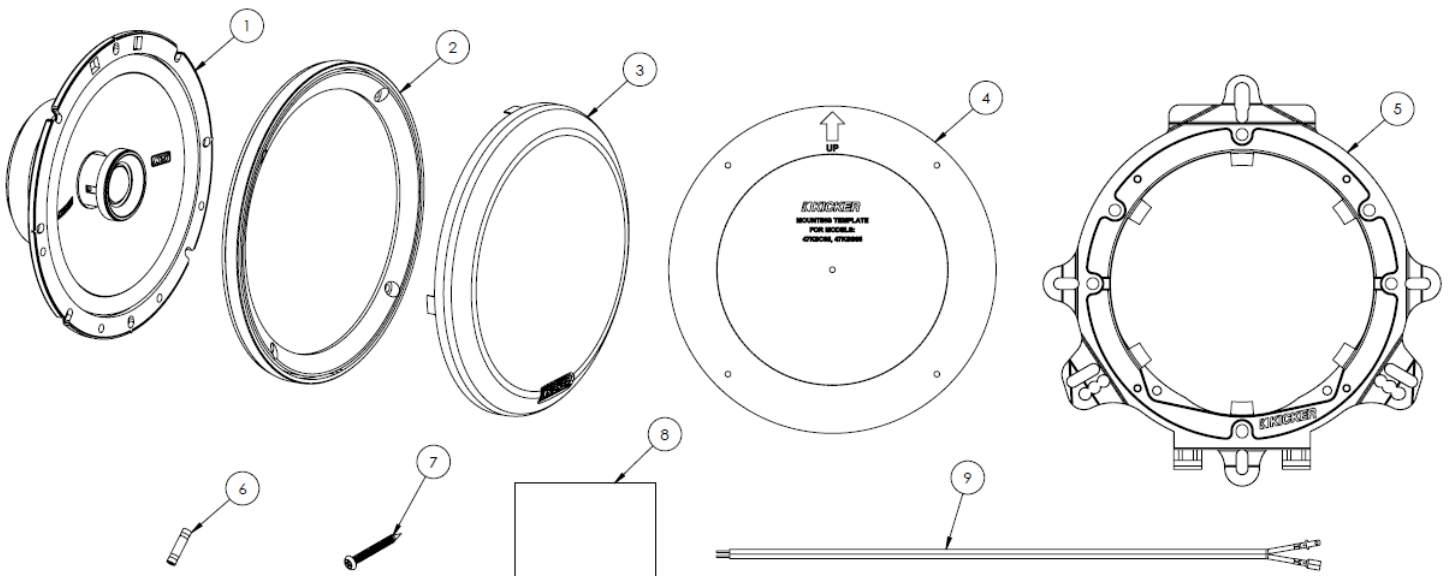
ITEM NO.	DESCRIPTION	QTY.
1	6.5" KSC COAXIAL SPEAKER	2
2	6.5" KS GRILLE BEZEL	2
3	6.5" KSC GRILLE	2
4	6.5" KS MOUNTING TEMPLATE	2
5	6.5"/6.75" KS MOUNTING ADAPTER	2
6	BUTT CONNECTOR	4
7	MOUNTING SCREW	8
8	FOAM DAMPENER FOR MOUNTING ADAPTER	2
9	WIRE HARNESS	2
10	BLACK ADHESIVE FOR SECURING GRILLE (NOT SHOWN)	2





## PARTS LIST – 47KSC6704

ITEM NO.	DESCRIPTION	QTY.
1	6.75" KSC COAXIAL SPEAKER	2
2	6.75" KS GRILLE BEZEL	2
3	6.75" KSC GRILLE	2
4	6.75" KS MOUNTING TEMPLATE	2
5	6.5"/6.75" KS MOUNTING ADAPTER	2
6	BUTT CONNECTOR	4
7	MOUNTING SCREW	8
8	FOAM DAMPENER FOR MOUNTING ADAPTER	2
9	WIRE HARNESS	2
10	BLACK ADHESIVE FOR SECURING GRILLE (NOT SHOWN)	2

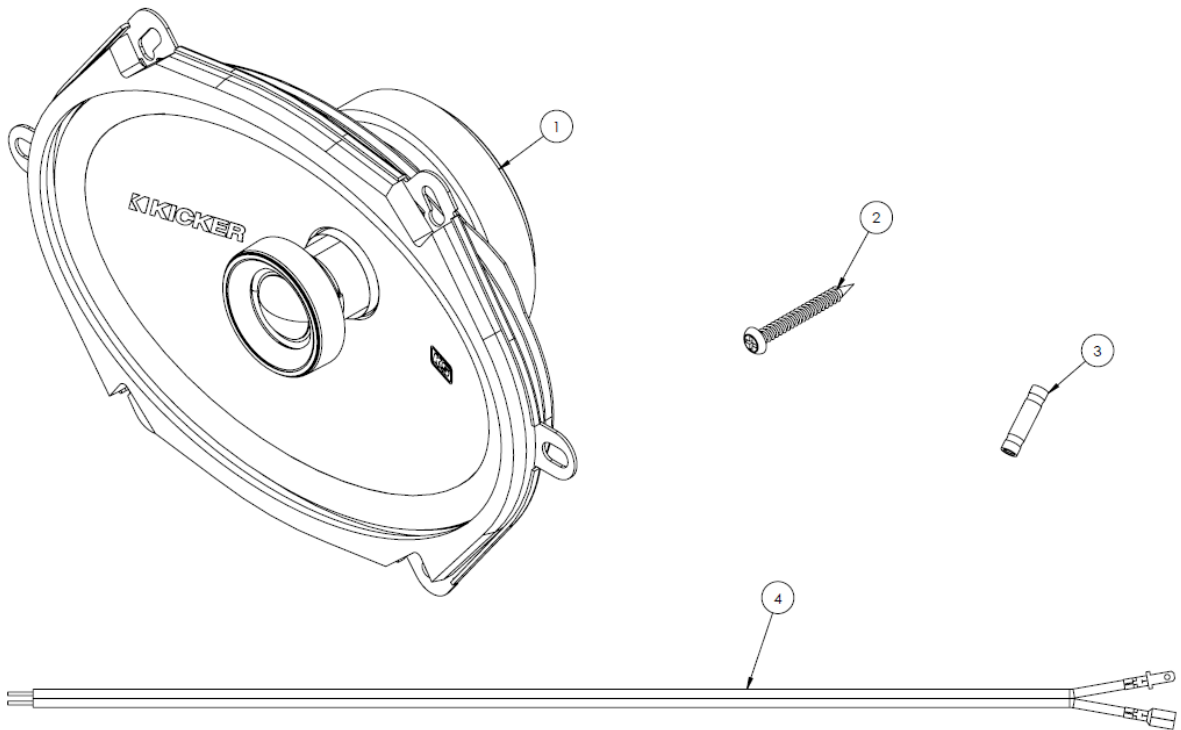






## PARTS LIST – 47KSC6804

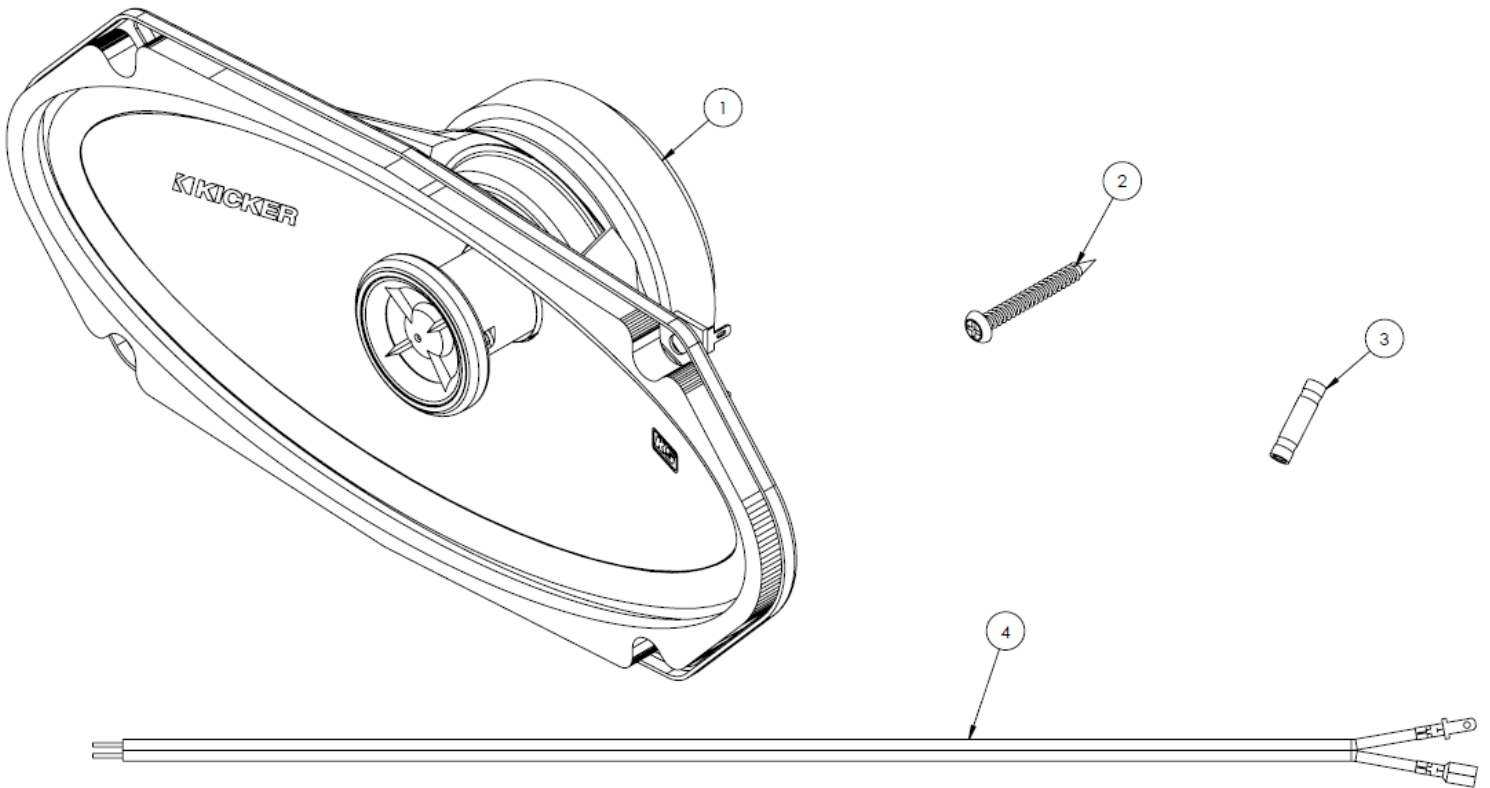
ITEM NO.	DESCRIPTION	QTY.
1	6"x8" KSC COAXIAL SPEAKER	2
2	MOUNTING SCREW	8
3	BUTT CONNECTOR	4
4	WIRE HARNESS	2





## PARTS LIST – 47KSC41004

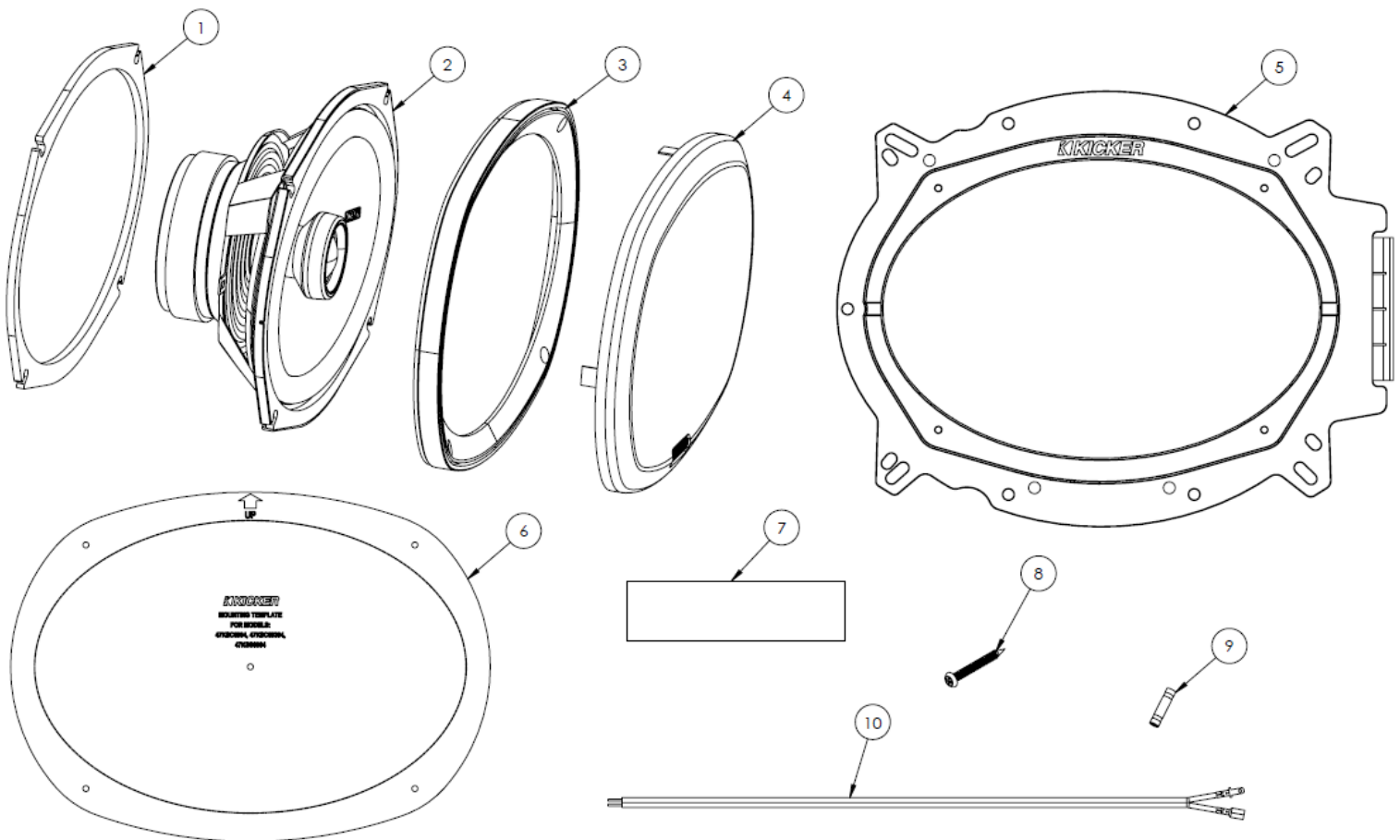
ITEM NO.	DESCRIPTION	QTY.
1	4"x10" KSC COAXIAL SPEAKER	2
2	MOUNTING SCREW	8
3	BUTT CONNECTOR	4
4	WIRE HARNESS	2





## PARTS LIST – 47KSC6904

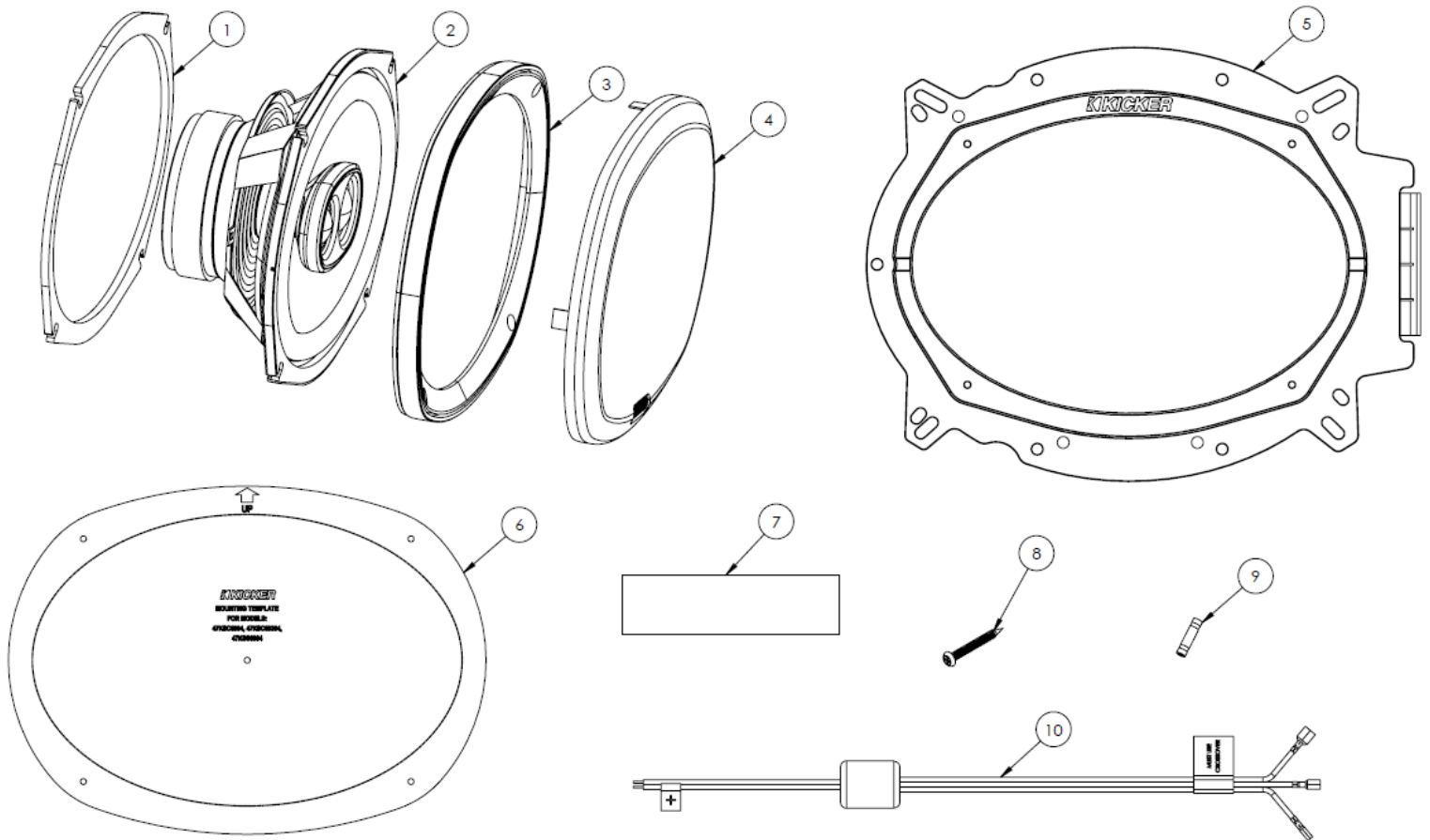
ITEM NO.	DESCRIPTION	QTY.
1	6"x9" KS BACK SPACER	2
2	6"x9" KSC COAXIAL SPEAKER	2
3	6"x9" KS GRILLE BEZEL	2
4	6"x9" KSC GRILLE	2
5	6"x9" KS MOUNTING ADAPTER	2
6	6"x9" KS MOUNTING TEMPLATE	2
7	FOAM DAMPENER FOR MOUNTING ADAPTER	2
8	MOUNTING SCREW	8
9	BUTT CONNECTOR	4
10	WIRE HARNESS	2





## PARTS LIST – 47KSC69304

ITEM NO.	DESCRIPTION	QTY.
1	6"x9" KS BACK SPACER	2
2	6"x9" KSC 3-WAY SPEAKER	2
3	6"x9" KS GRILLE BEZEL	2
4	6"x9" KSC GRILLE	2
5	6"x9" KS MOUNTING ADAPTER	2
6	6"x9" KS MOUNTING TEMPLATE	2
7	FOAM DAMPENER FOR MOUNTING ADAPTER	2
8	MOUNTING SCREW	8
9	BUTT CONNECTOR	4
10	6"x9" 3-WAY KSC CROSSOVER	2



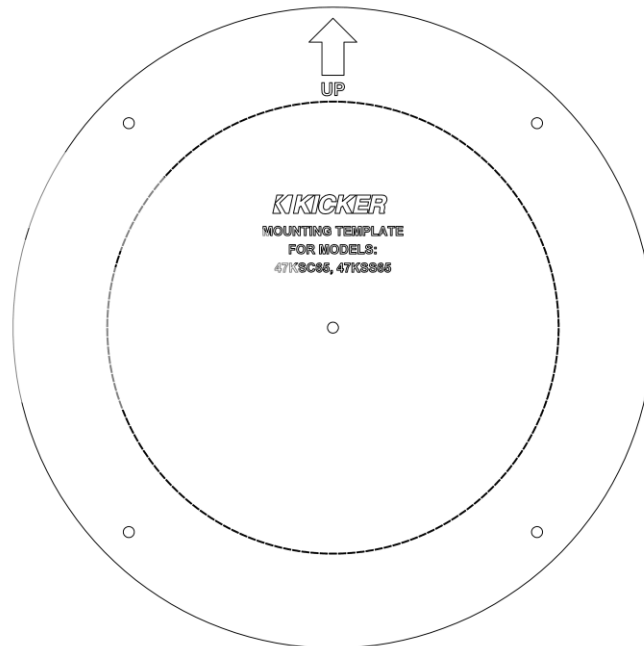


Kicker KSC coaxial speakers are made to replace and upgrade factory speakers. The speakers may also be placed in custom locations. A grille is provided with some speaker models for applications in older vehicles as well as custom locations. This document will address installation and wiring for the following models:

- **47KSC2704**
- **47KSC354**
- **47KSC44**
- **47KSC54**
- **47KSC464**
- **47KSC654**
- **47KSC674**
- **47KSC684**
- **47KSC4104**
- **47KSC6904**
- **47KSC6934**

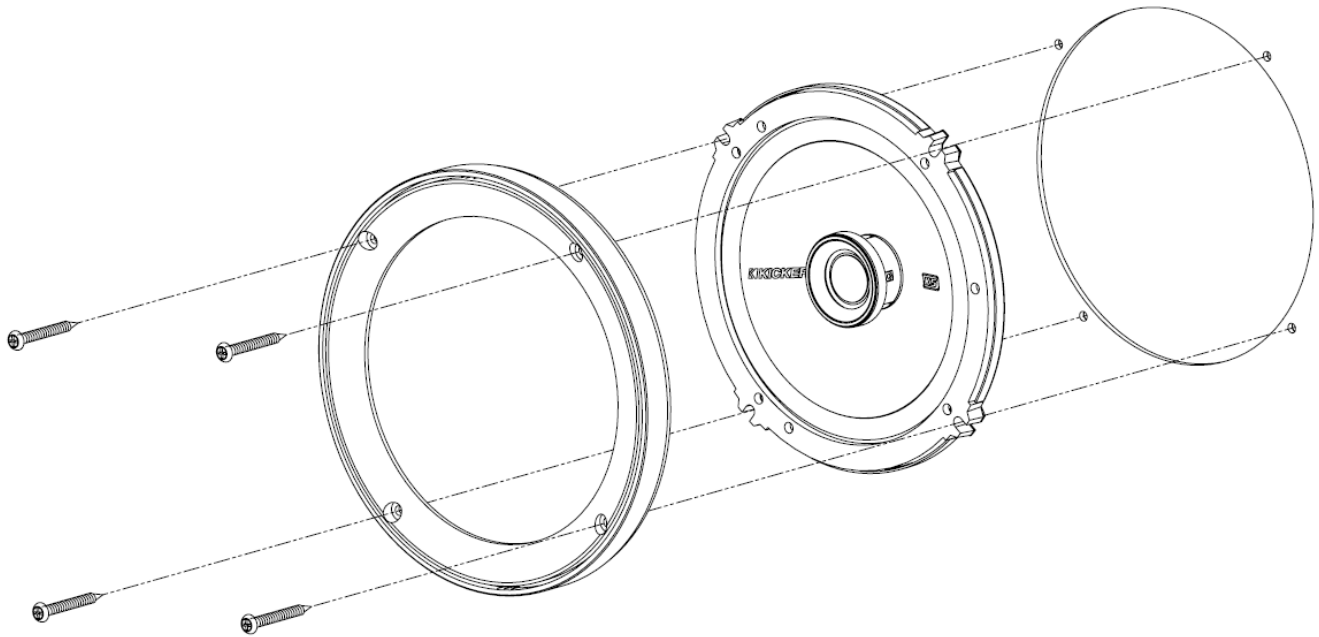
## **MOUNTING KSC SPEAKERS**

1. Prepare the speaker harness to accept Kicker KSC speaker. Review the “WIRING THE SPEAKER” section of this document.
2. Some KSC speakers are provided with a mounting template. Use mounting template to cut and drill holes for custom mounting locations.

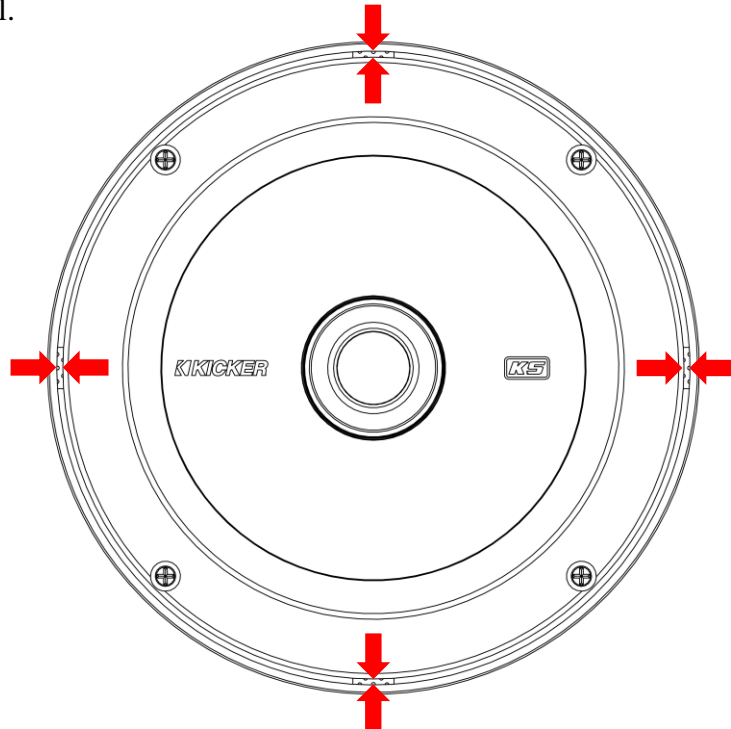




- Using the supplied screws or factory hardware, mount the speaker to its mounting panel. If speaker is placed behind a door panel do not use the grille.

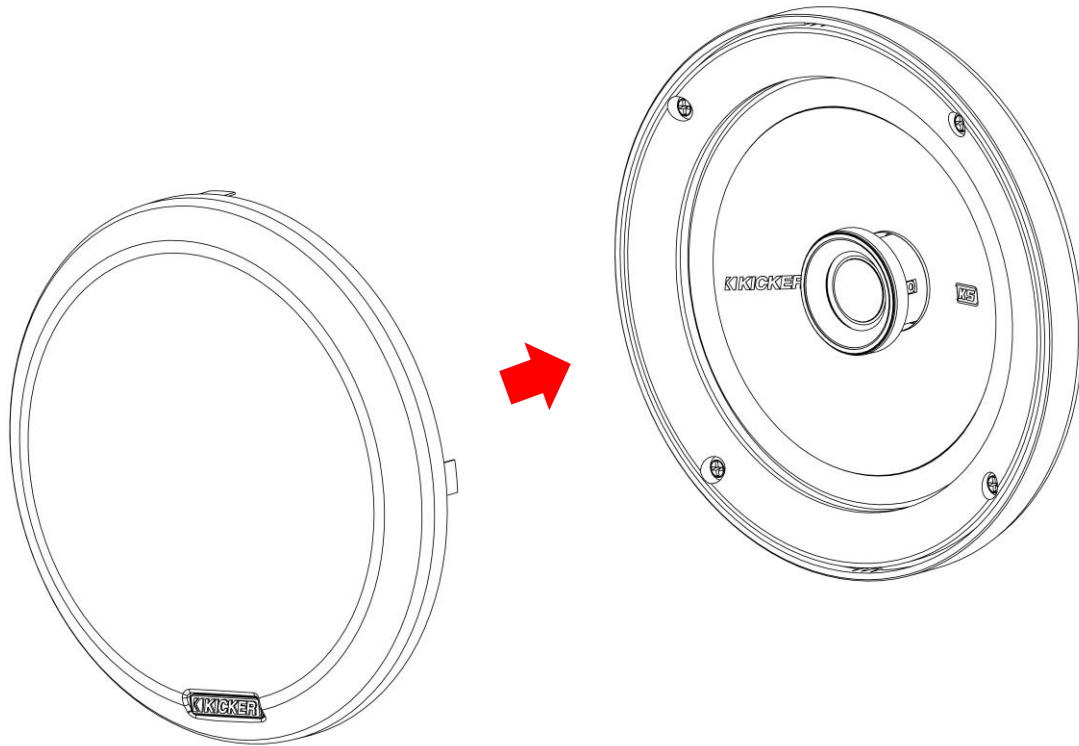


- Apply the black adhesive into the gap of the bezel where the grille's tabs insert and engage the bezel.



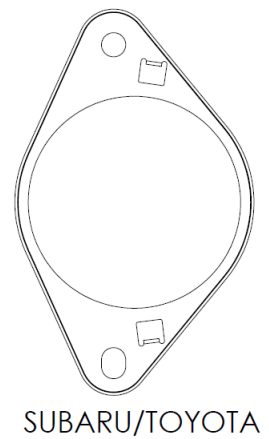
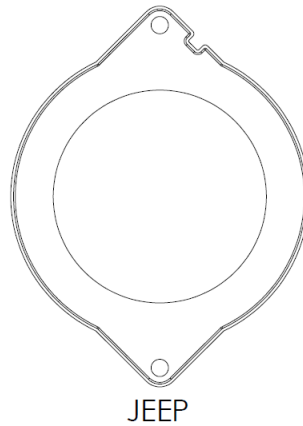
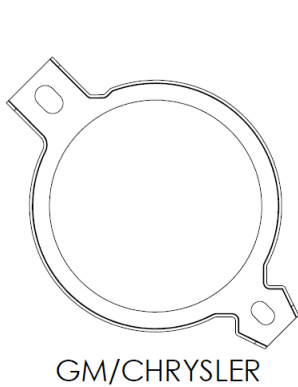


- Carefully insert grille into the gap in the bezel.



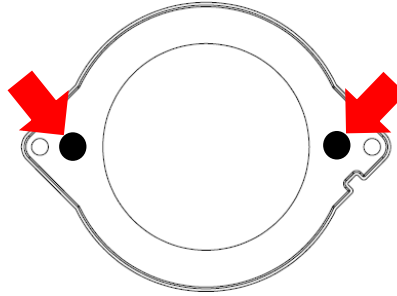
## MOUNTING KSC2704

- Find flange that matches your vehicle's factory tweeter flange.

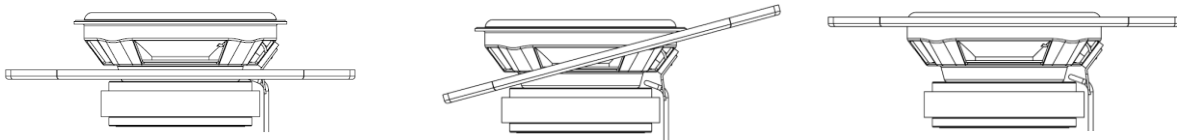




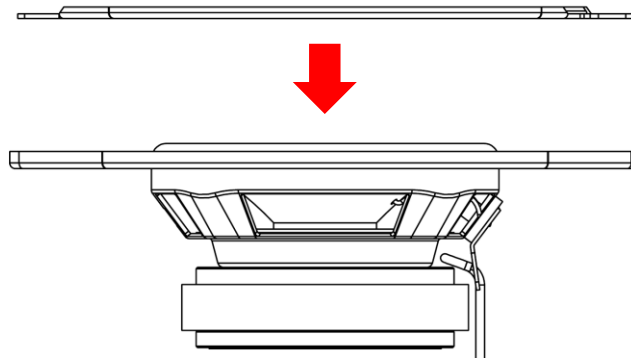
2. Place a 3mm sized piece of black adhesive in the general location shown on the flange. (Black adhesive is not necessary for installation. Adhesive aids in holding the assembly together during installation.)



3. Route KCS270 wires and motor through the flange. **NOTE:** Place flange over terminals first, then locate speaker in flange.



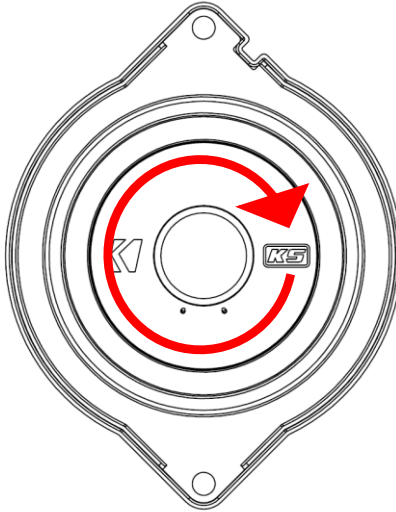
4. Place retainer on top of speaker and inside the flange. If black adhesive is used, press retainer into adhesive on the flange.



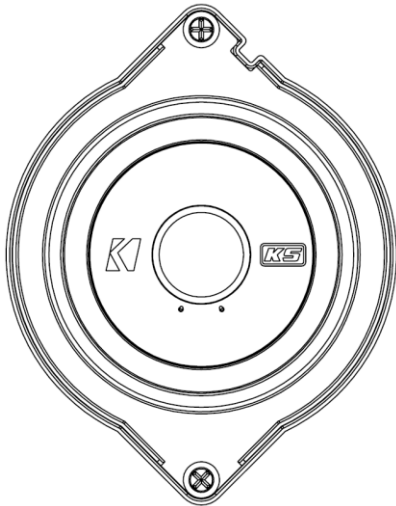




5. Rotate speaker to desired orientation in the flange.



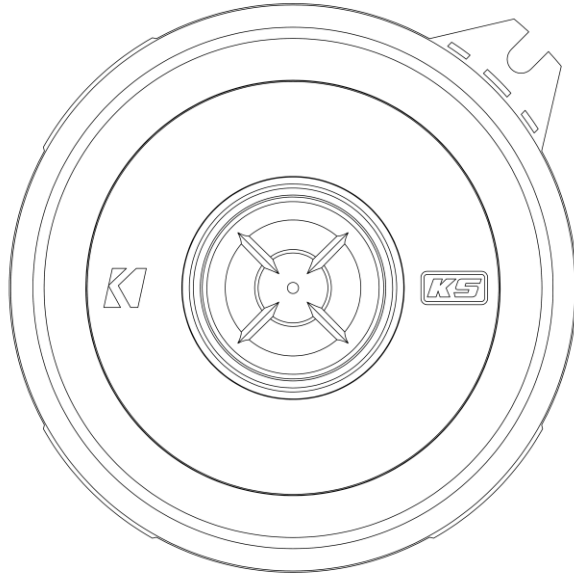
6. Fasten speaker to mounting location using the factory hardware or supplied screws.





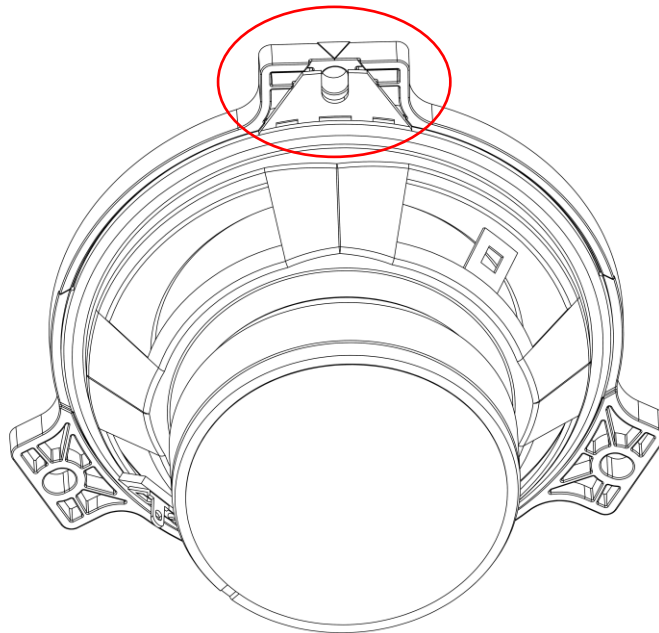
## MOUNTING KSC404 WITH THREE-TAB-ADAPTER

1. Remove three of the KSC404 mounting tabs with side cutters. Leave one mounting tab.



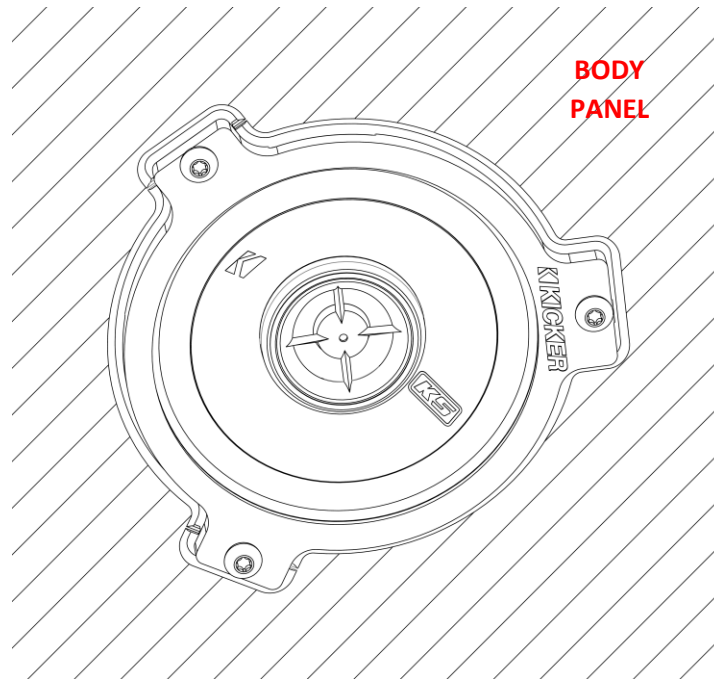
**NOTE:** Remove tabs that will provide the desired installed orientation of the cone.

2. Place mounting adapter on the speaker. One tab of the adapter has an arrow indicating that it engages with the speaker tab.



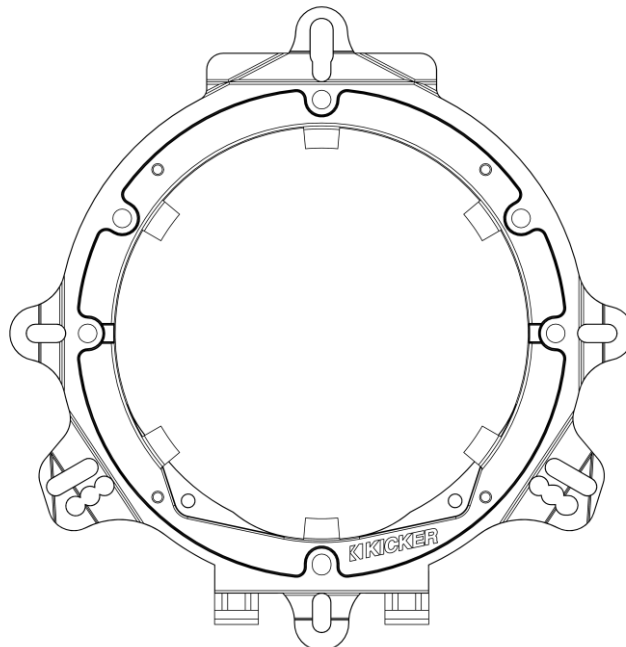


3. Mount speaker to the surface using the factory hardware.



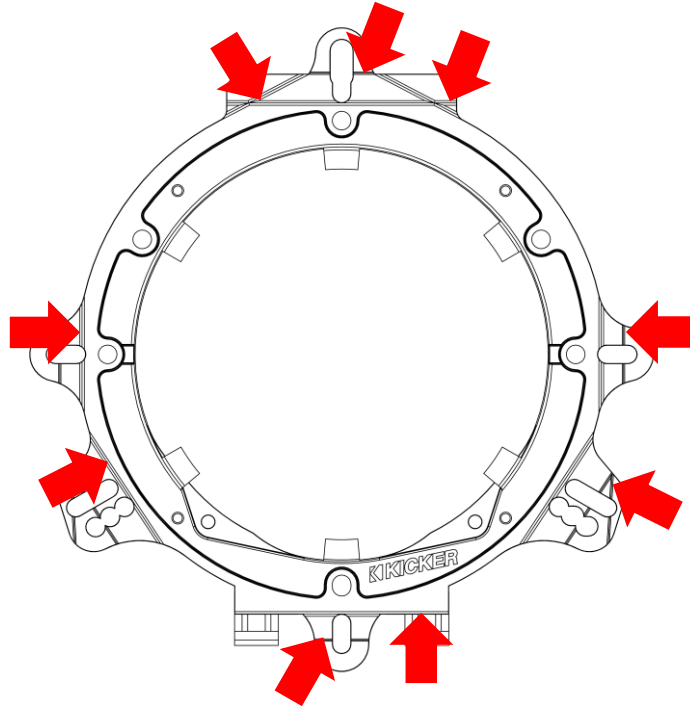
## MOUNTING KSC6504 OR KSC6704 WITH THE ADAPTER

1. If necessary, use the mid-bass woofer mounting adapter. Find the bolt pattern that matches your factory speaker. Factory mounting hardware will be reused.

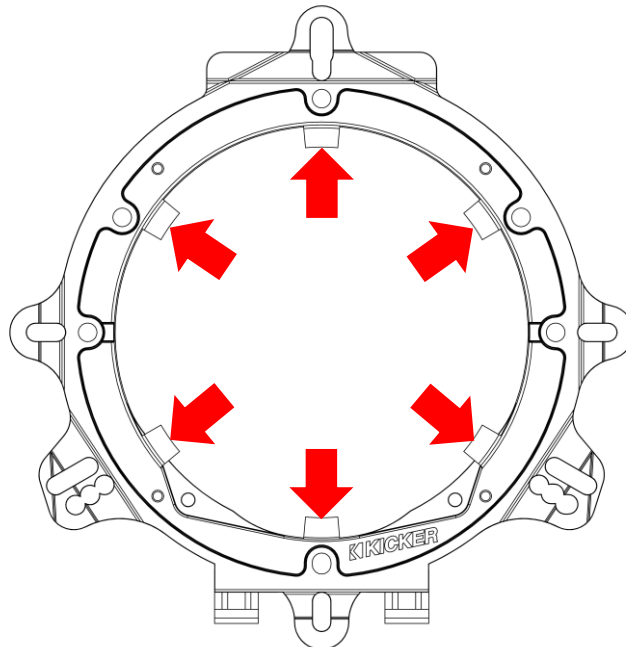




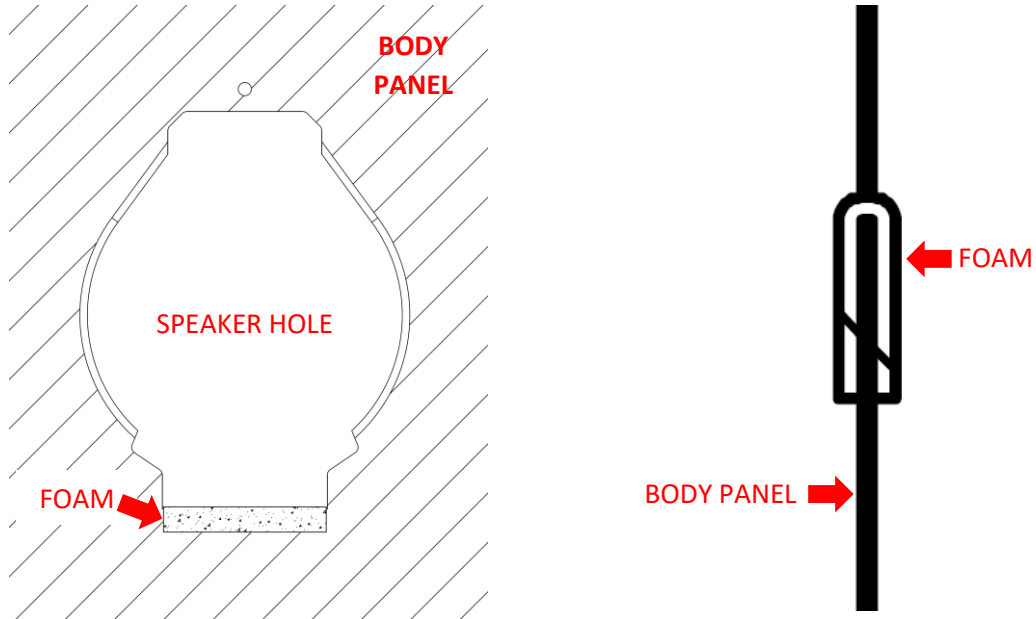
- Using side cutters remove any tabs that may impede installation of adapter or reassembly of factory components. Cutting locations are molded into the tabs of the adapter.



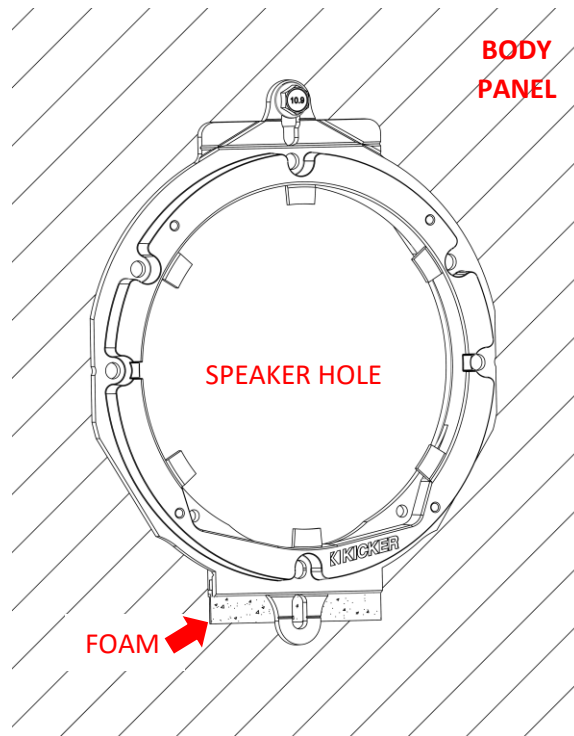
- If using the adapter with the KSC6704, remove the inner centering tabs.



4. For some applications the adapter clips to the mounting panel on one side. It may be necessary use the foam damper to tighten the fitment of the of the clip-on side of the adapter.

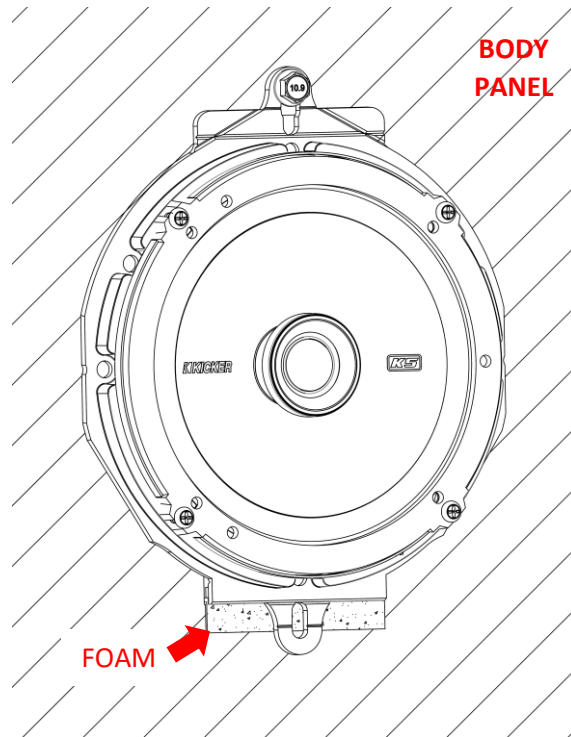


5. Fasten the adapter to the mounting panel using the factory hardware.



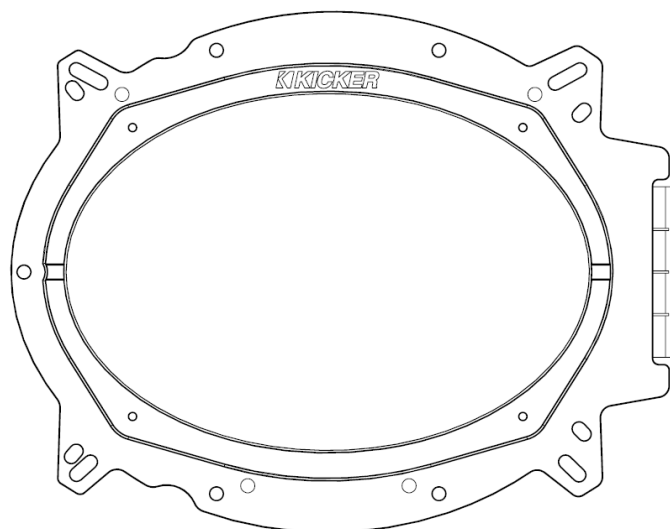


6. Fasten the speaker to the adapter using the supplied screws.



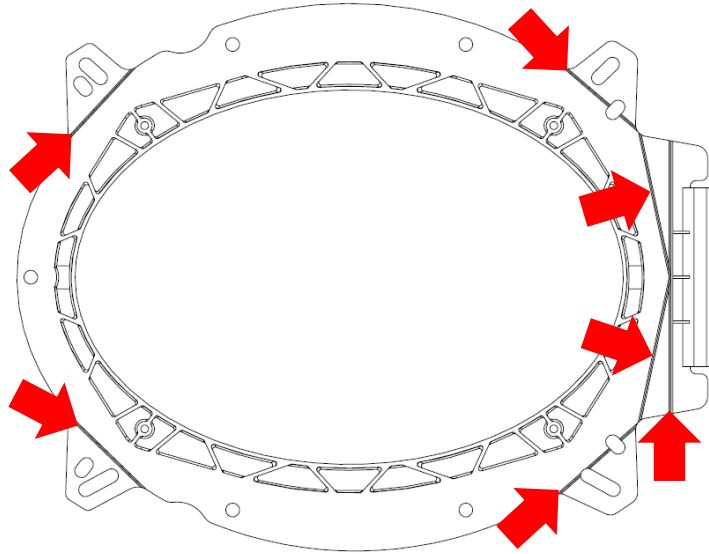
## MOUNTING KSC6904 OR KSC69304 WITH THE ADAPTER

1. If necessary, use the mid-bass woofer mounting adapter. Find the bolt pattern that matches your factory speaker. Factory mounting hardware will be reused.

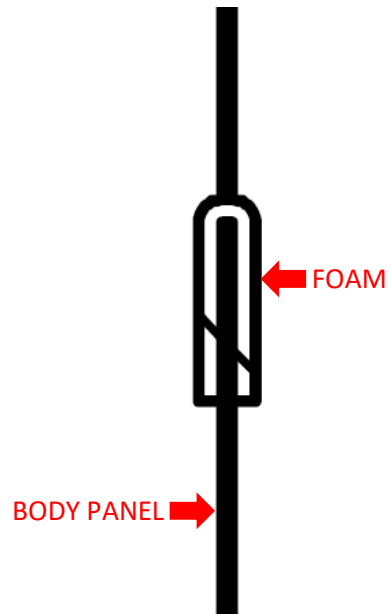
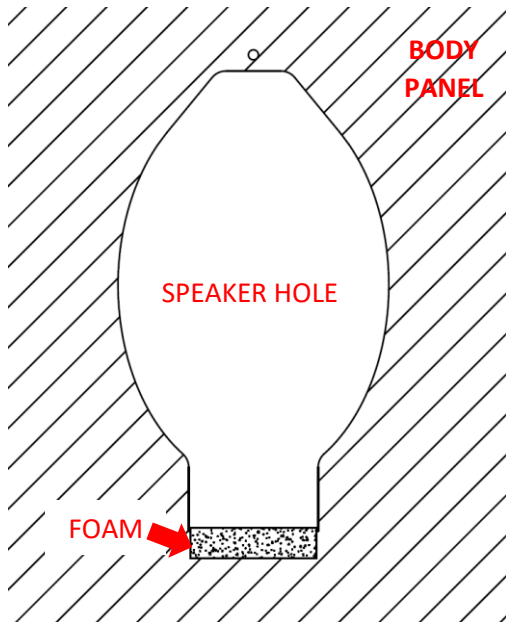




- Using side cutters remove any tabs that may impede installation of adapter or reassembly of factory components. Cutting locations are molded into the backside of the adapter.

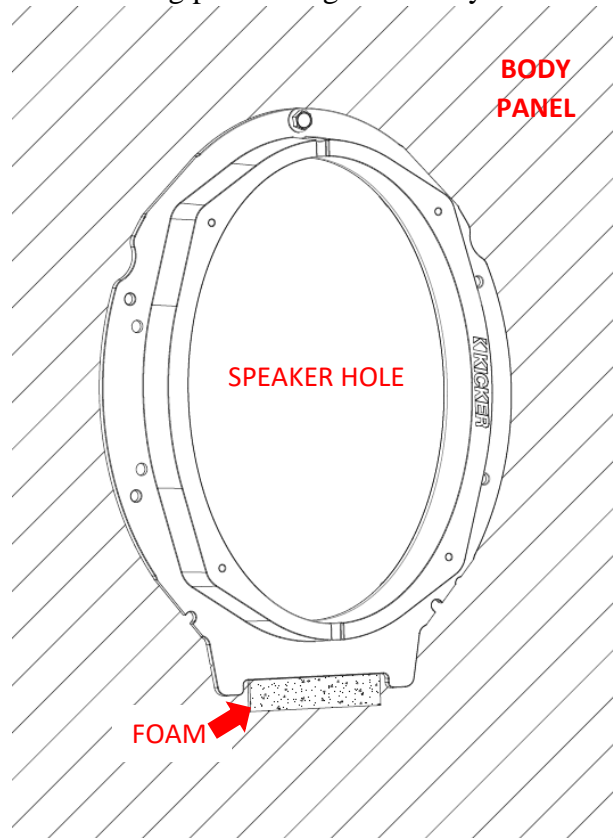


- For some applications the adapter clips to the mounting panel on one side. It may be necessary use the foam damper to tighten the fitment of the of the clip-on side of the adapter.

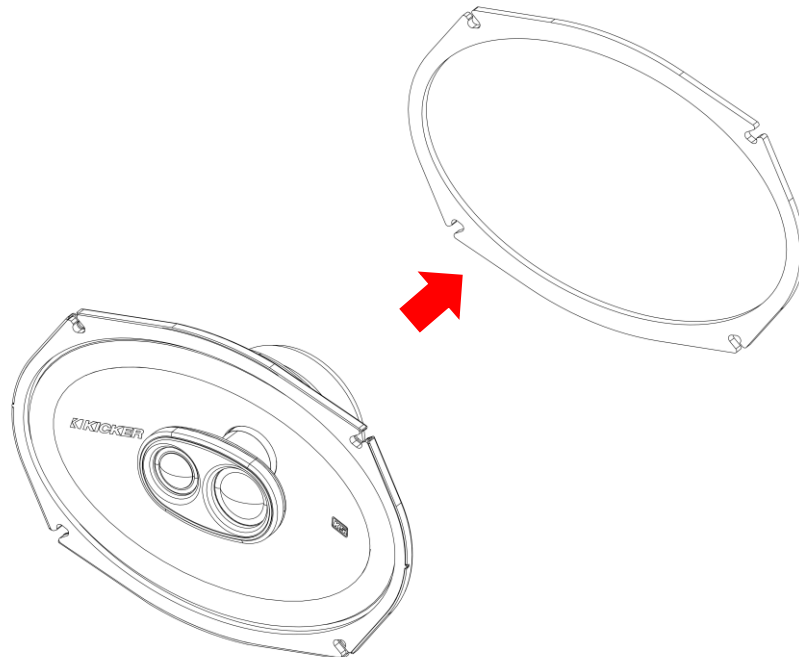




4. Fasten the adapter to the mounting panel using the factory hardware.



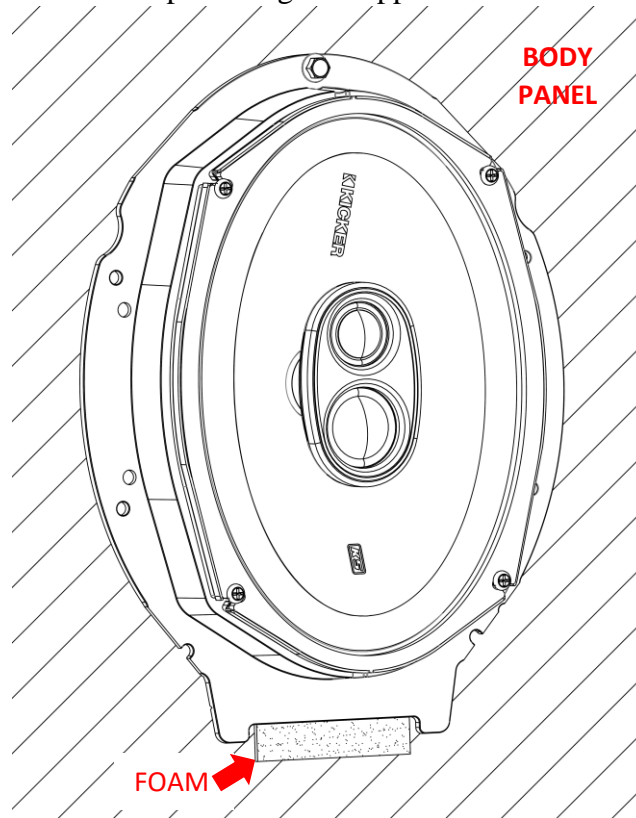
5. A back gasket/spacer is included to improve fitment. It may be necessary to space the speaker motor further way from accessories (windows tracks, lock actuators, etc.) in some applications. If necessary, use the back gasket/spacer.







6. Fasten the speaker to the adapter using the supplied screws.



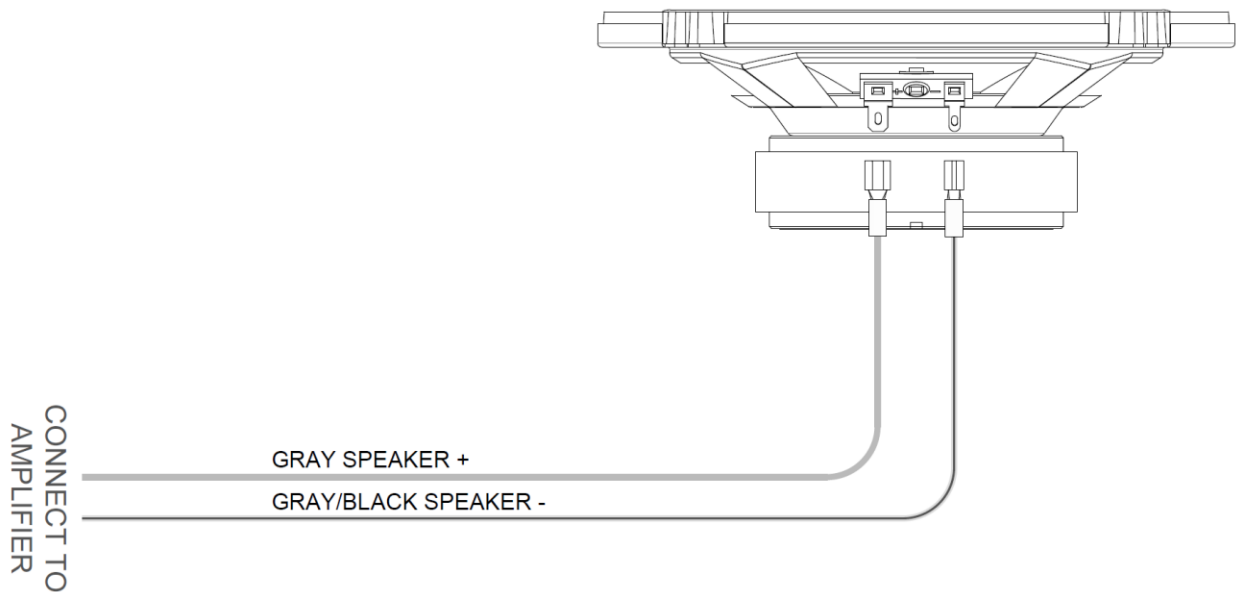


## WIRING KSC SPEAKERS WITHOUT CROSSOVERS



**DANGER!** Electrical hazard. Burns, electric shock, or damage to equipment may occur during connection of electrical wires. Always disconnect the vehicle's power source before making wire connections.

For all speaker models without included crossovers - Kicker supplies a wire harness and butt connectors to splice into factory speaker wiring. Use the diagram below to wire these models.

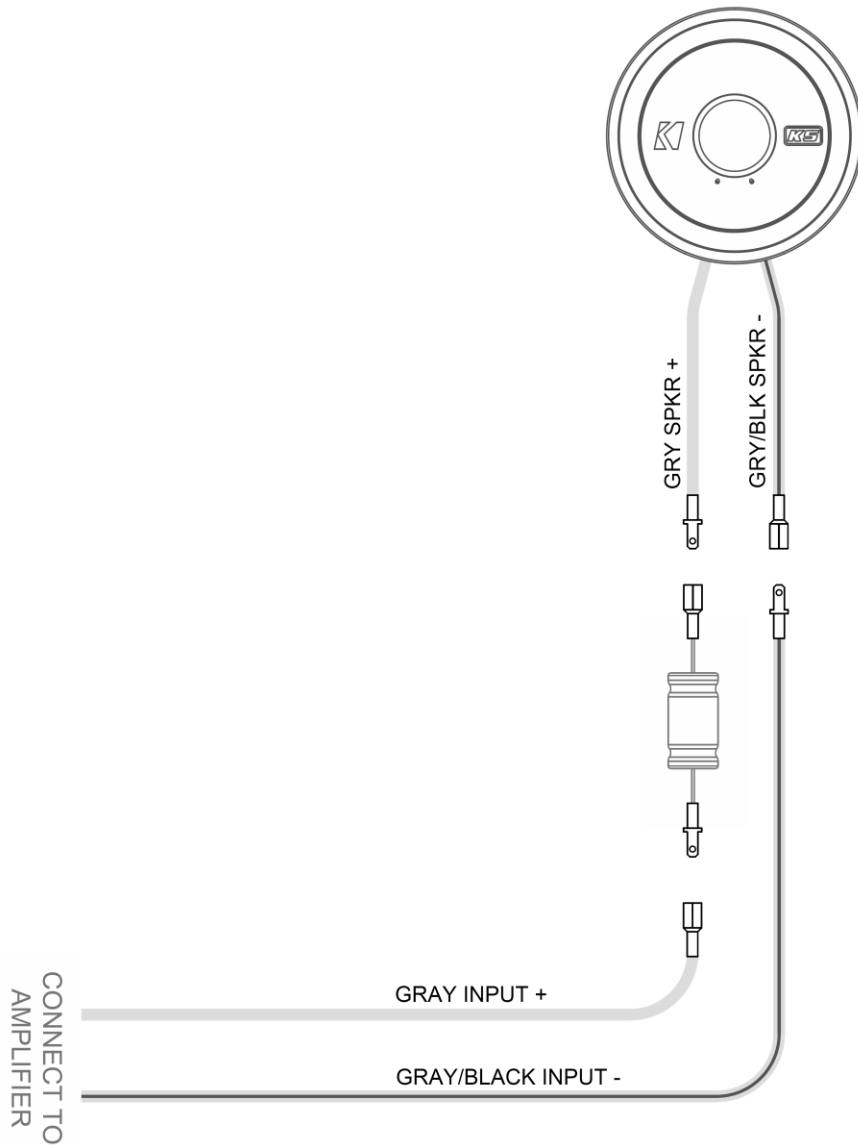


1. Splice the gray wire to factory positive speaker wire using the supplied butt connectors.
2. Splice the gray wire with a black stripe to factory negative speaker wire using the supplied butt connectors.
3. Connect the large and small spade receptacles to their respective terminals on the speaker.



## WIRING THE KSC2704

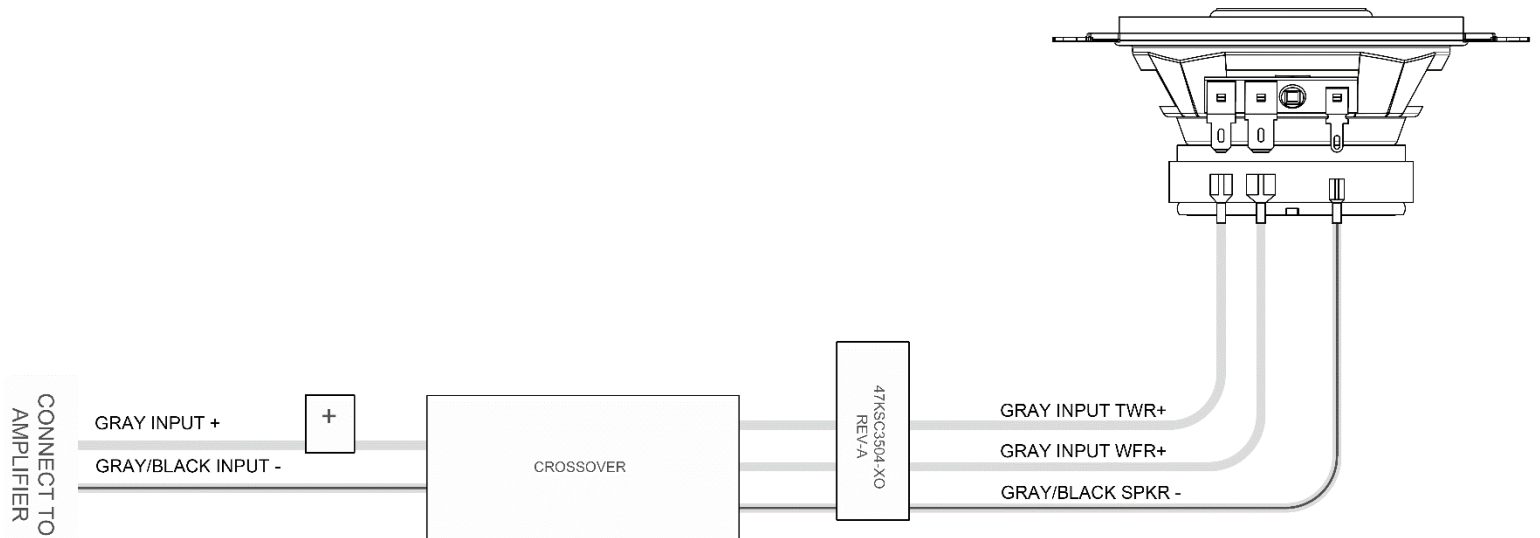
The Kicker KSC2704 mid-range tweeter is packaged with a capacitor and a wire harness for splicing into existing speaker circuits. Connect the capacitor in series with the mid-range tweeter on the positive input.





## WIRING THE KSC3504

The Kicker KSC3504 coaxial speaker is packaged with an inline crossover. The crossover is terminated with different size terminals for each circuit so that the circuits cannot be connected incorrectly. The crossover splices into existing speaker circuits and connects directly to the KSC3504.

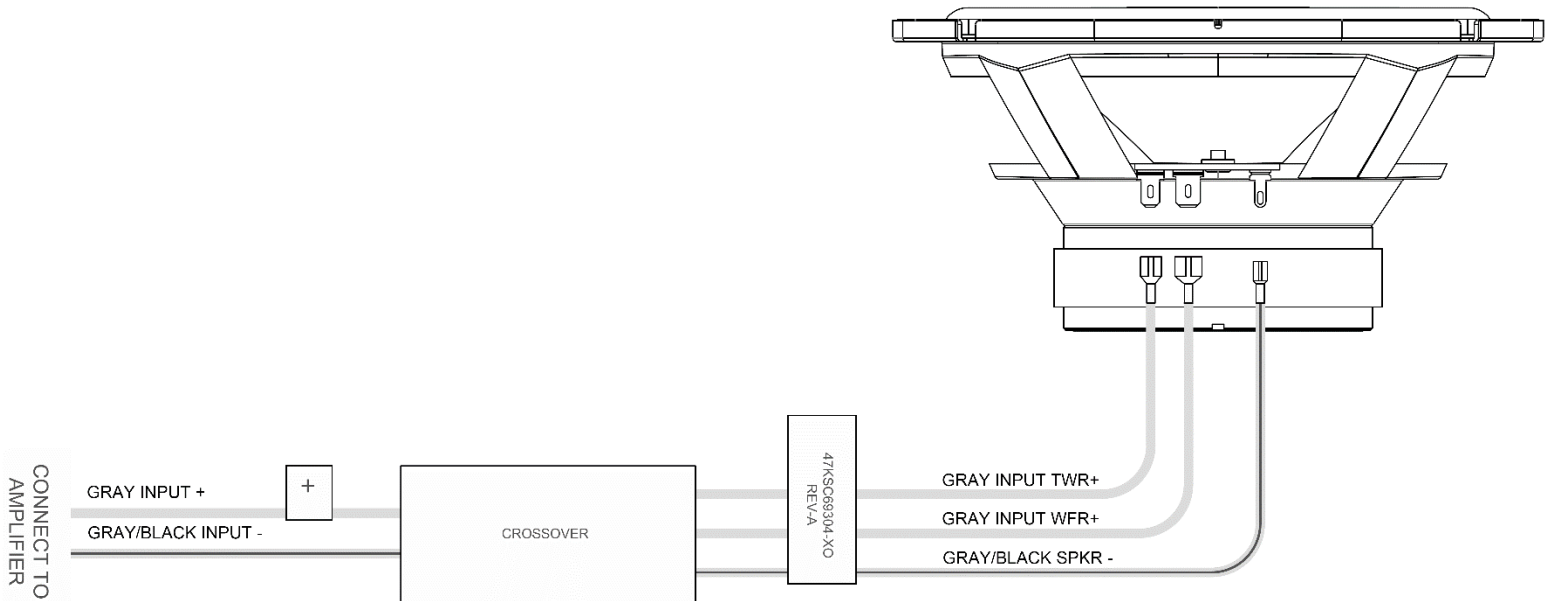


**NOTE:** The crossover for the KSC3504 is labeled part number 47KSC3504-XO.



## WIRING THE KSC69304

The Kicker KSC69304 coaxial speaker is packaged with an inline crossover. The crossover is terminated with different size terminals for each circuit so that the circuits cannot be connected incorrectly. The crossover splices into existing speaker circuits and connects directly to the KSC69304.



**NOTE:** The crossover for the KSC69304 is labeled part number 47KSC69304-XO.